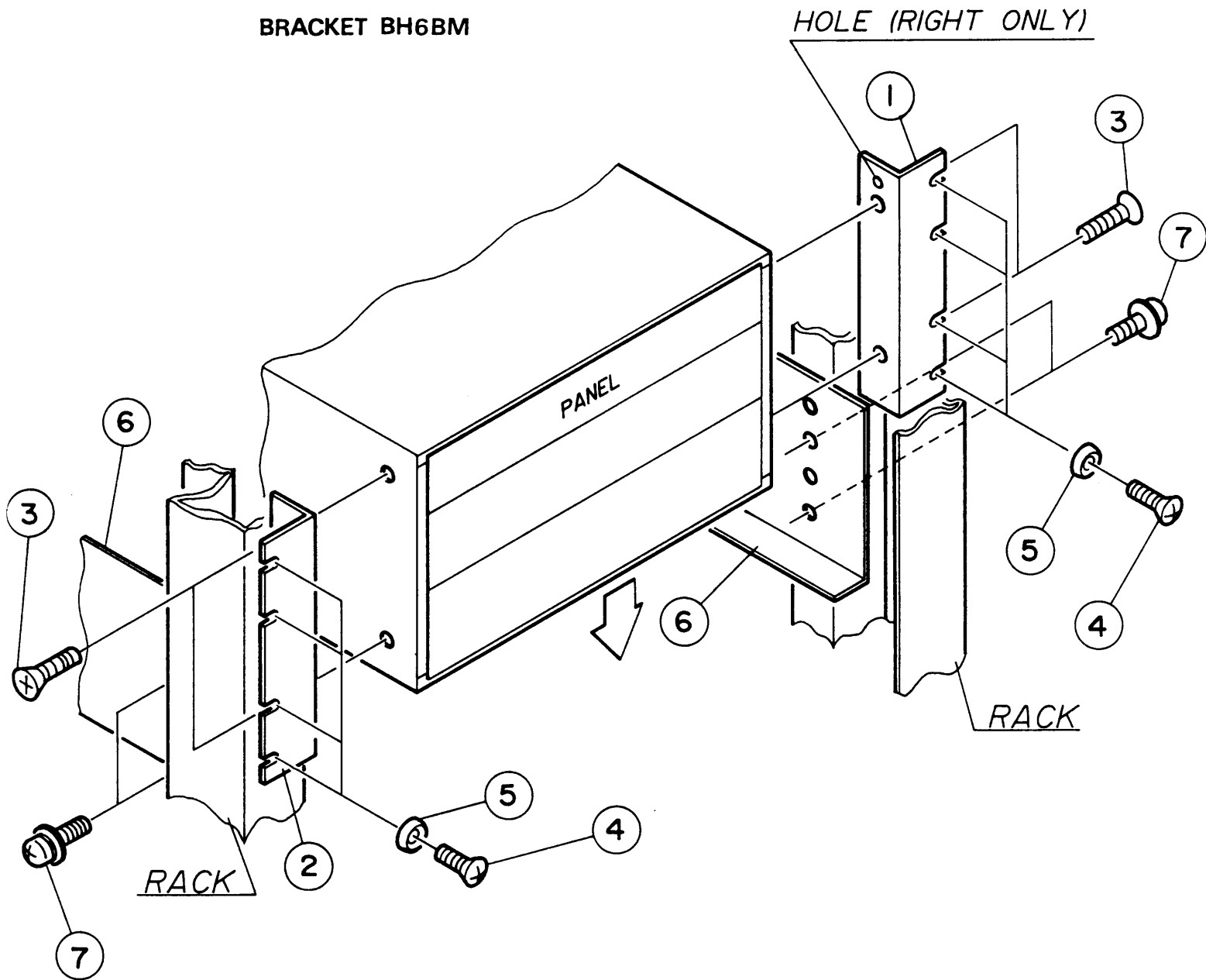


BRACKET BH6BM



NO.	DESCRIPTION	QTY	CODE NO.
1	BRACKET BH6BM RIGHT	1	D3-988-201
2	BRACKET BH6BM LEFT	1	D3-988-202
3	SCREW,FLAT HEAD M5x0.8x16 S-ZN	4	M2-001-651
4	SCREW,OVAL HEAD M5x0.8x14 B-NI	8	M2-002-091
5	FINISHING WASHER 5CW	8	M5-003-031
6	RAIL FOR EXTRA WEIGHT	2	D4-988-701
7	SCREW WITH SW,PW M5x0.8x10 S-ZN	8	M3-012-131